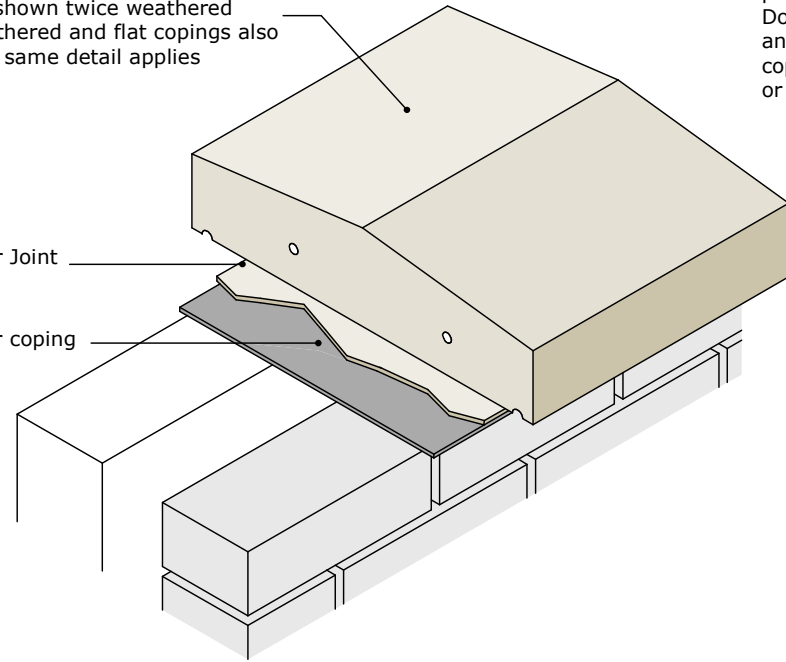


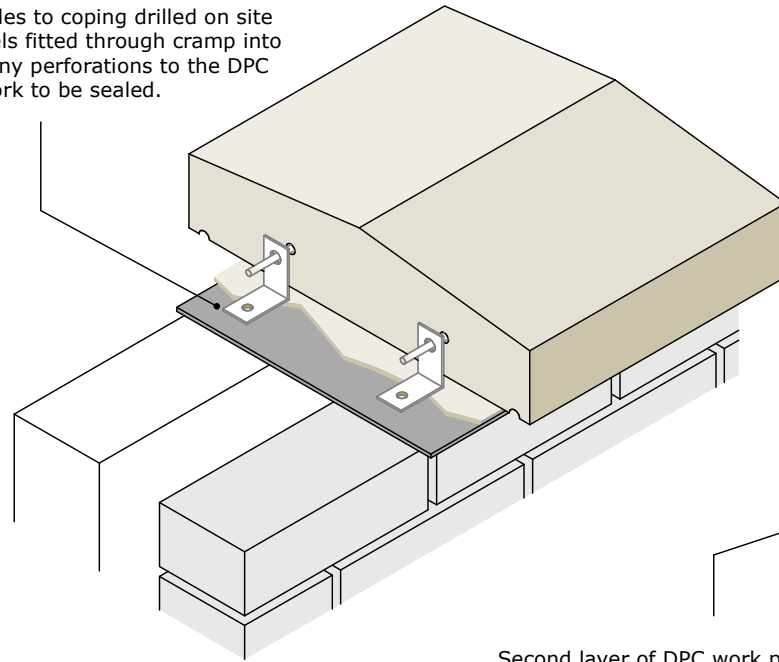
Coping Unit (holes drilled on site)
example shown twice weathered
once weathered and flat copings also
available, same detail applies

Mortar Joint

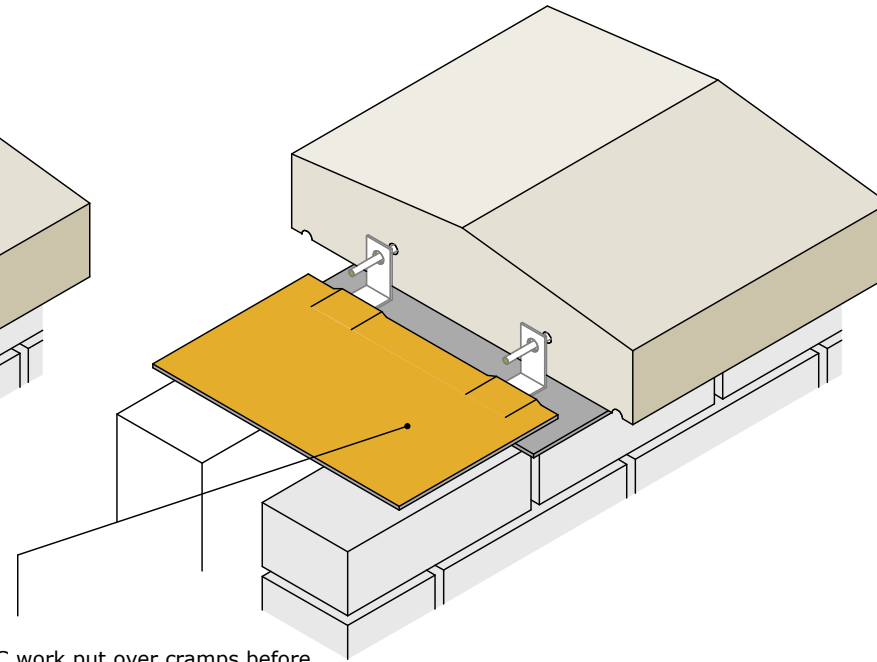
Layer of DPC under coping



Coping cramps fitted to joint
plugged and screwed to brickwork.
Dowel holes to coping drilled on site
and dowels fitted through cramp into
coping. Any perforations to the DPC
or leadwork to be sealed.



Second layer of DPC work put over cramps before
installation of next coping to ensure water proofing
perforations to the DPC or leadwork to be sealed.



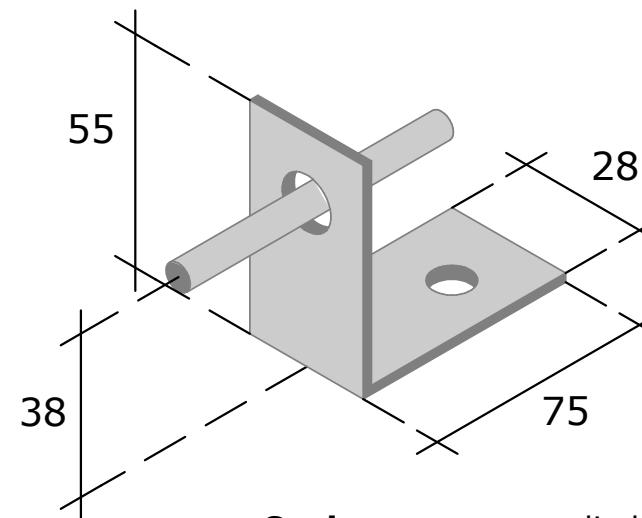
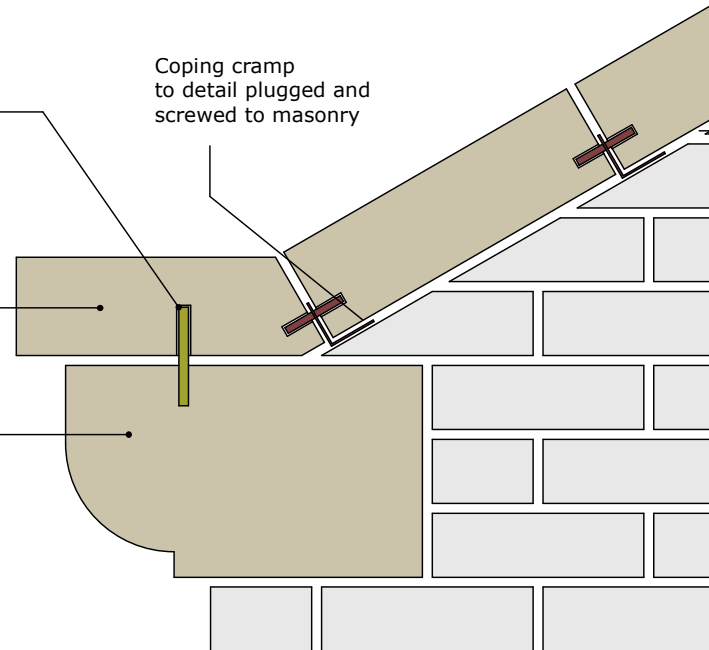
100x10mm stainless steel
dowel resin anchored into
masonry, holes to be drilled
on site by others.

Coping cramp
to detail plugged and
screwed to masonry

Mortar joint under copings

Coping Kneeler Unit

Example corbel shown



Coping cramp supplied with
6x60mm loose dowel, screw and plug
on site

NOTES

Please do not scale from
this drawing.

All dimensions to be checked
by client prior to manufacture.

This drawing must not be
reproduced in any part or
form without consent.

All dimensions in millimetres unless
noted otherwise.

Any shown fixings, restraints or
support steel is strictly indicative
and is to be designed by others.

Please return a signed copy of this
drawing back so that manufacture
of items can commence



**GB CONSTRUCTION
SUPPLIES**

Triton House
Hare Park Mills
Hare Park Lane
Liversedge
WF15 8HN

Phone: 01274 870044

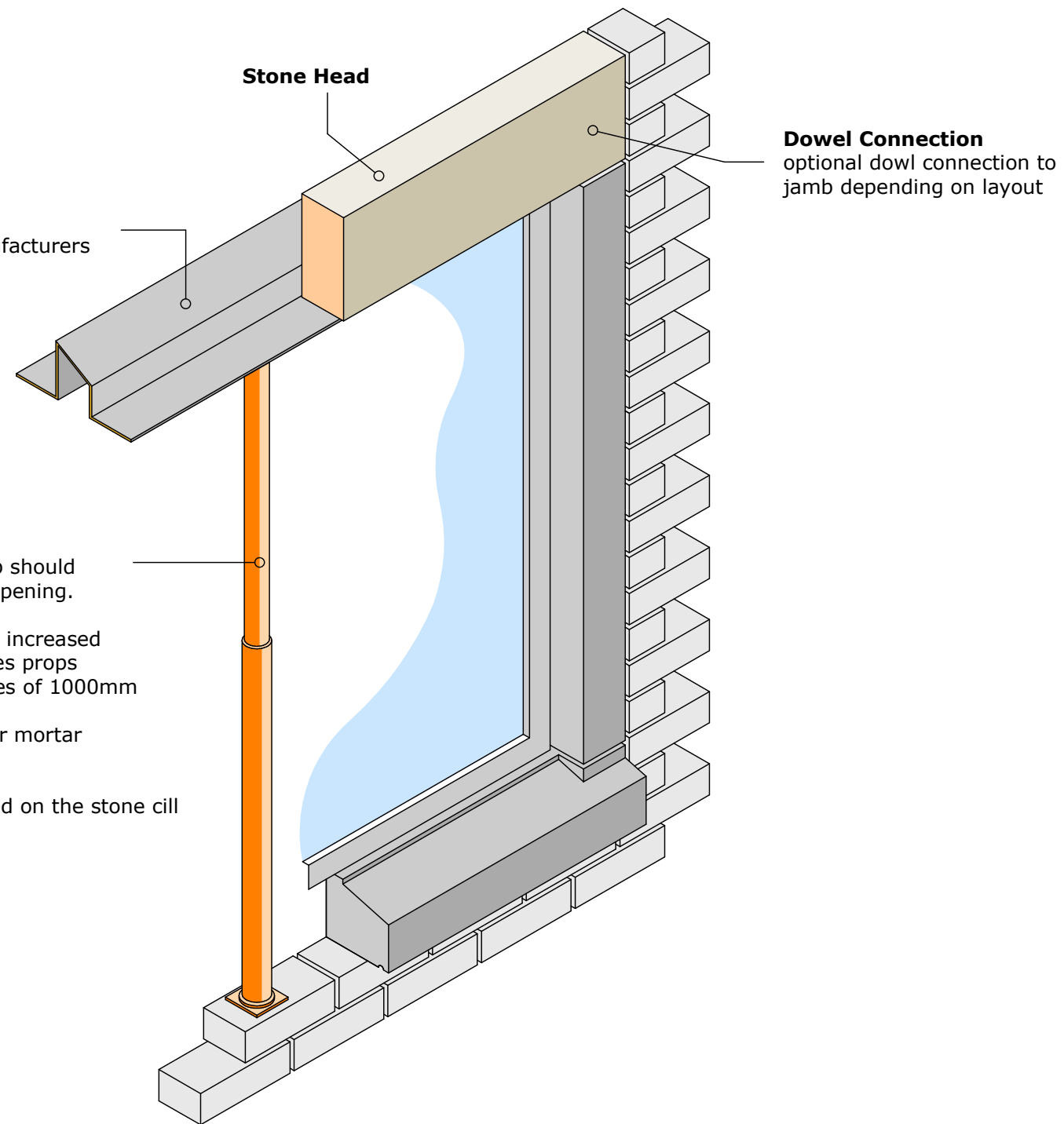
Steel Lintel
to be installed as per manufacturers
reccomended instructions
(design may vary)

Propping
On small windows a single prop should
be placed centrally within the opening.

The number of props should be increased
for larger openings. NHBC states props
should be at a maximum centres of 1000mm

The props can be removed after mortar
has cured.

Propping must **not** be supported on the stone cill
(if applicable)



NOTES

Please do not scale from
this drawing.

All dimensions to be checked
by client prior to manufacture.

This drawing must not be
reproduced in any part or
form without consent.

All dimensions in millimetres unless
noted otherwise.

Any shown fixings, restraints or
support steel is strictly indicative
and is to be designed by others.

Please return a signed copy of this
drawing back so that manufacture
of items can commence



GB CONSTRUCTION SUPPLIES

Triton House
Hare Park Mills
Hare Park Lane
Liversedge
WF15 8HN

Phone: 01274 870044

NOTES

Please do not scale from this drawing.

All dimensions to be checked by client prior to manufacture.

This drawing must not be reproduced in any part or form without consent.

All dimensions in millimetres unless noted otherwise.

Any shown fixings, restraints or support steel is strictly indicative and is to be designed by others.

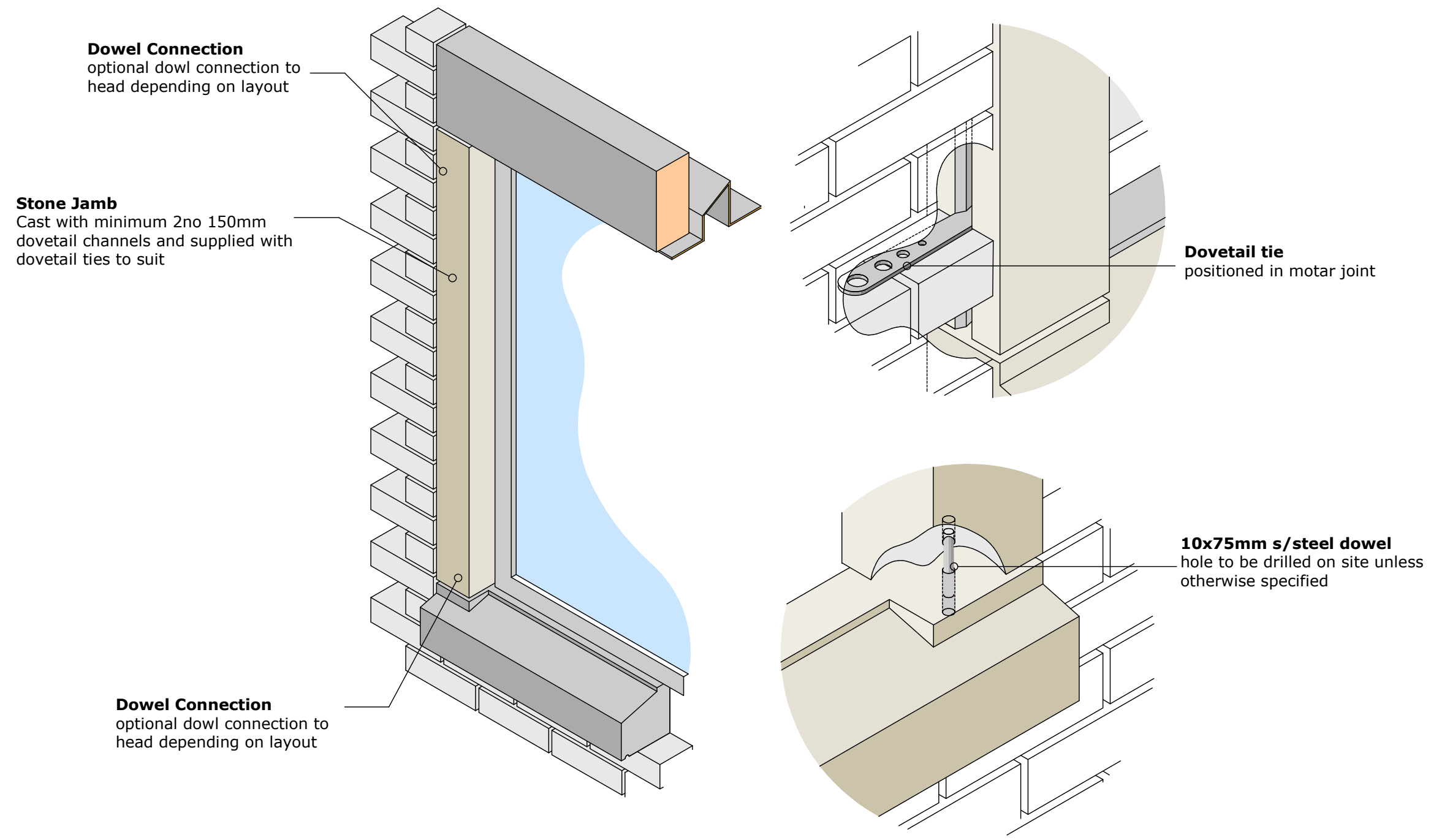
Please return a signed copy of this drawing back so that manufacture of items can commence

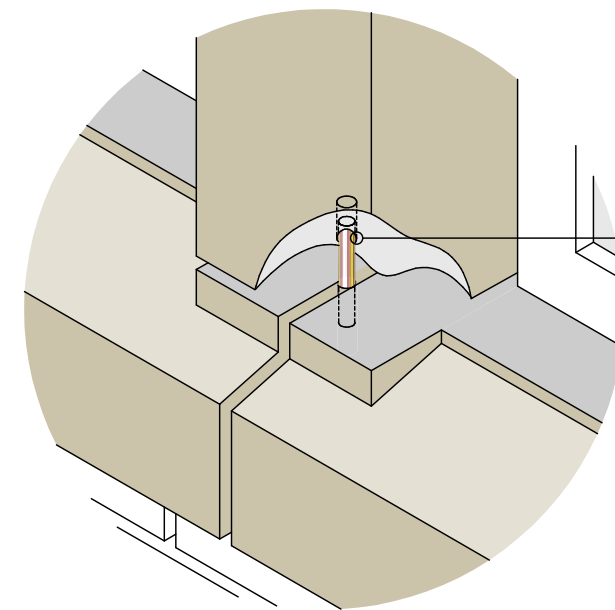
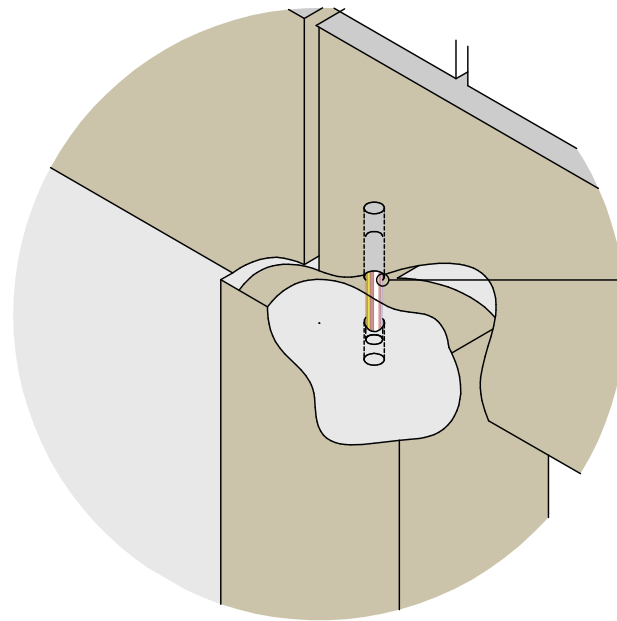
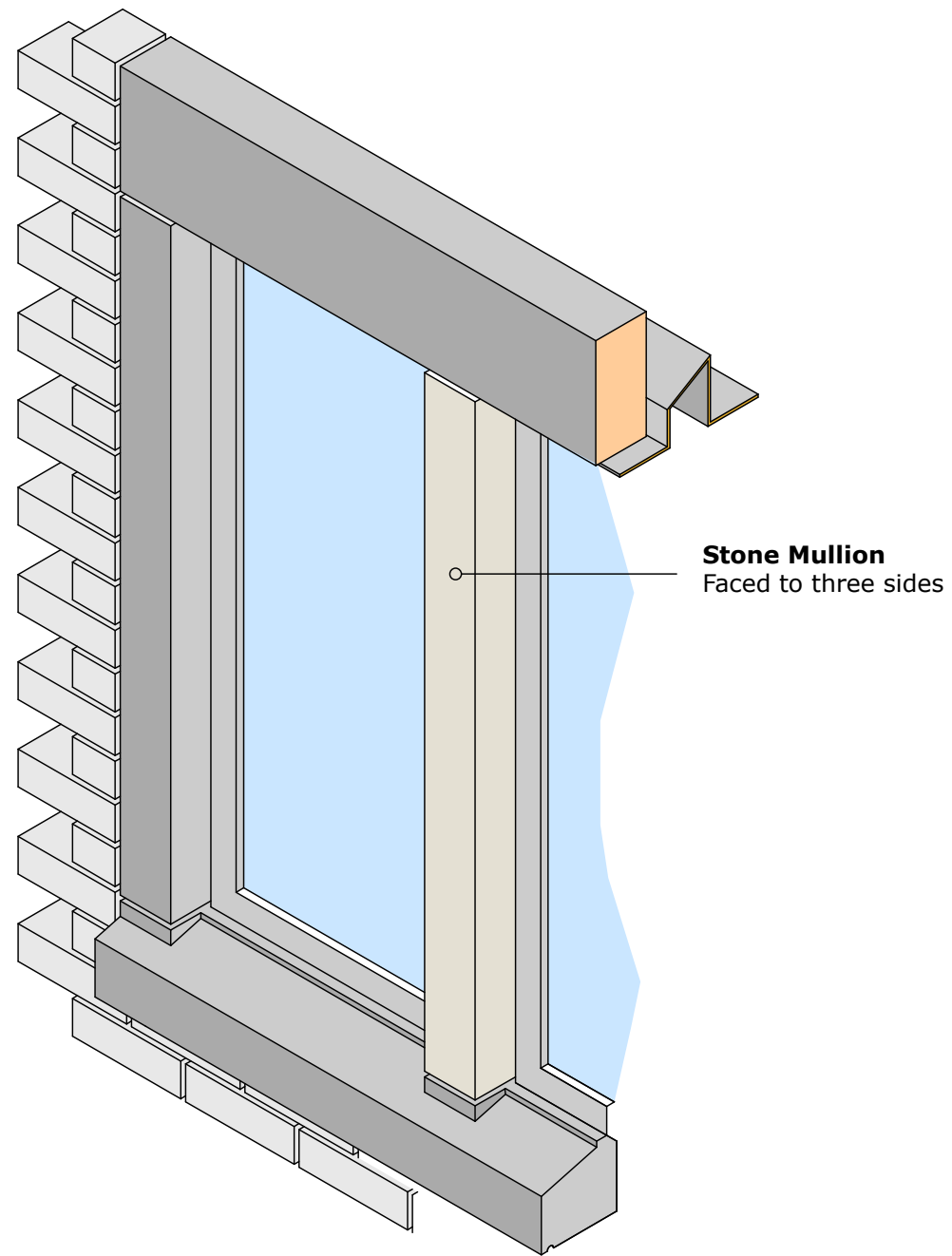


GB CONSTRUCTION SUPPLIES

Triton House
Hare Park Mills
Hare Park Lane
Liversedge
WF15 8HN

Phone: 01274 870044





NOTES

Please do not scale from this drawing.

All dimensions to be checked by client prior to manufacture.

This drawing must not be reproduced in any part or form without consent.

All dimensions in millimetres unless noted otherwise.

Any shown fixings, restraints or support steel is strictly indicative and is to be designed by others.

Please return a signed copy of this drawing back so that manufacture of items can commence



GB CONSTRUCTION SUPPLIES

Triton House
Hare Park Mills
Hare Park Lane
Liversedge
WF15 8HN

Phone: 01274 870044

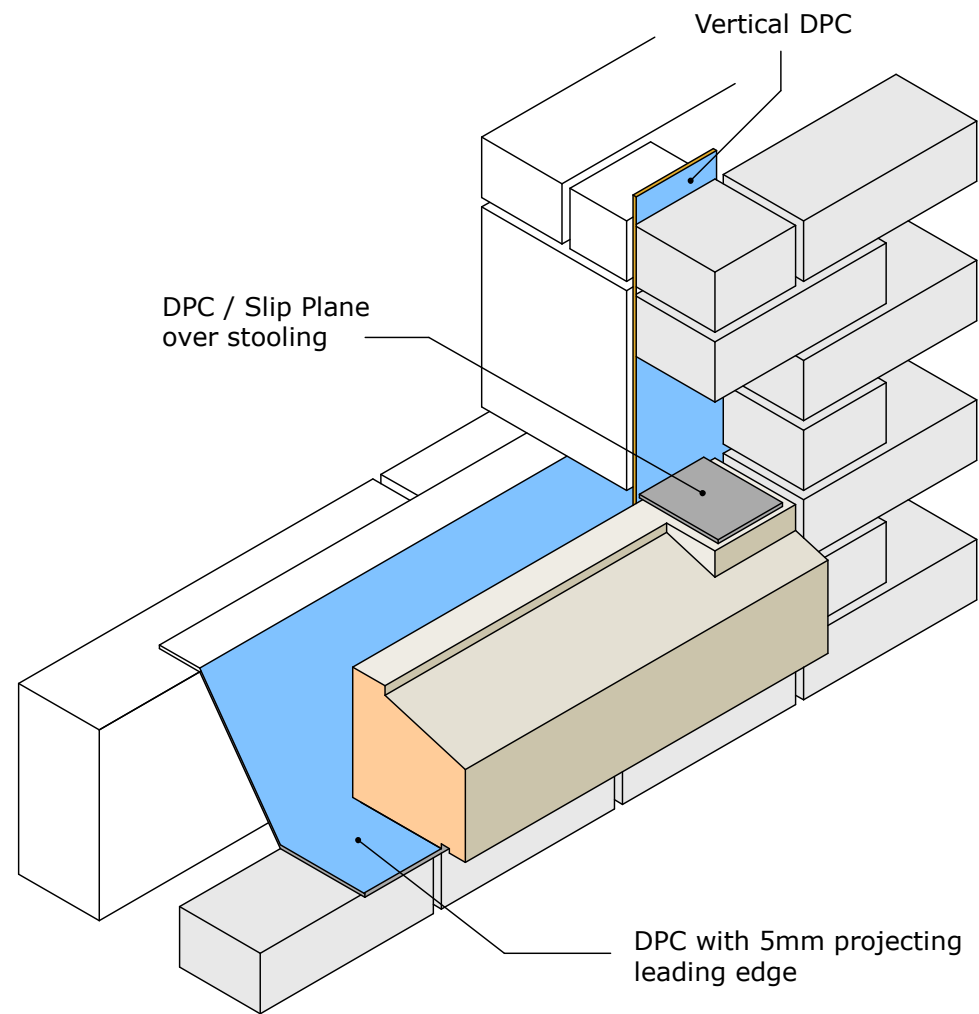


Fig1. DPC Details

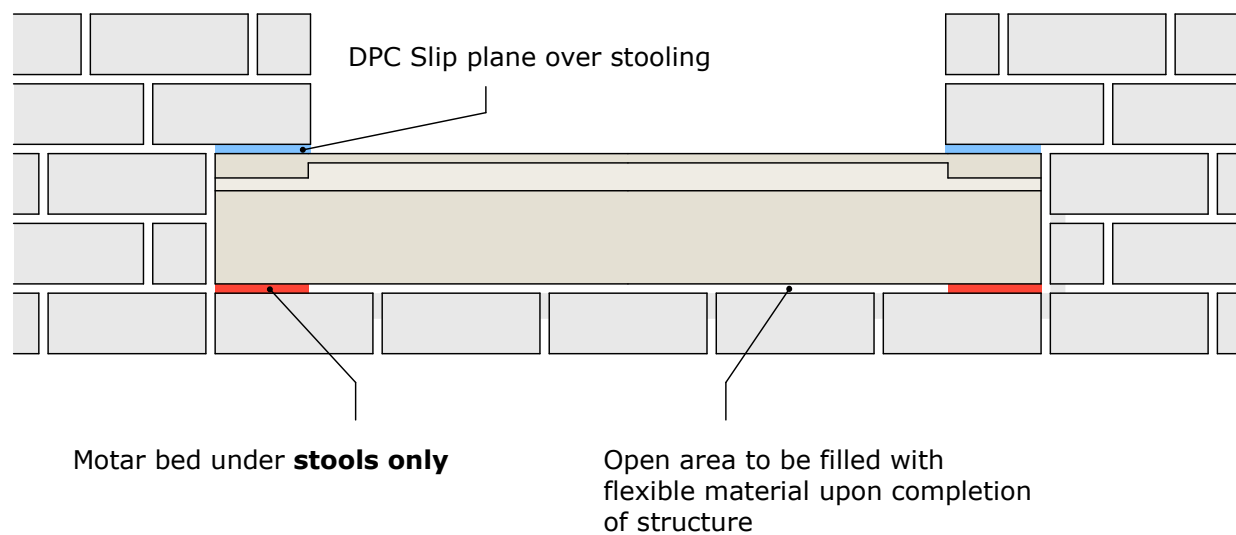


Fig2. Bedding of Cills

All cast stone cills should be installed in accordance with BS 5628-Part 3

DPC & Cavity Tray

A DPC the full length of the cill unit and the width of the cill bed should be installed as shown. The DPC should be overlapped by a vertical DPC at the jambs and a slip plane should be formed over the stooling of the cill to prevent cracking.

Bedding of Stooled Cills

To prevent cracking we recommend that stooled cills are only laid on top of the DPC with mortar below the stooling part of the cill. This is to allow differential settlement and thermal movement.

The then open section of joint can be sealed with a flexible material on completion of construction (on scaffold remove and clean down)

NOTES

Please do not scale from this drawing.

All dimensions to be checked by client prior to manufacture.

This drawing must not be reproduced in any part or form without consent.

All dimensions in millimetres unless noted otherwise.

Any shown fixings, restraints or support steel is strictly indicative and is to be designed by others.

Please return a signed copy of this drawing back so that manufacture of items can commence



GB CONSTRUCTION SUPPLIES

Triton House
Hare Park Mills
Hare Park Lane
Liversedge
WF15 8HN

Phone: 01274 870044

NOTES

Please do not scale from this drawing.

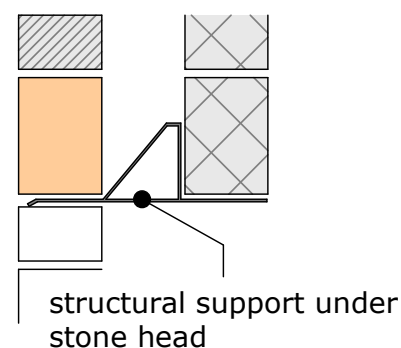
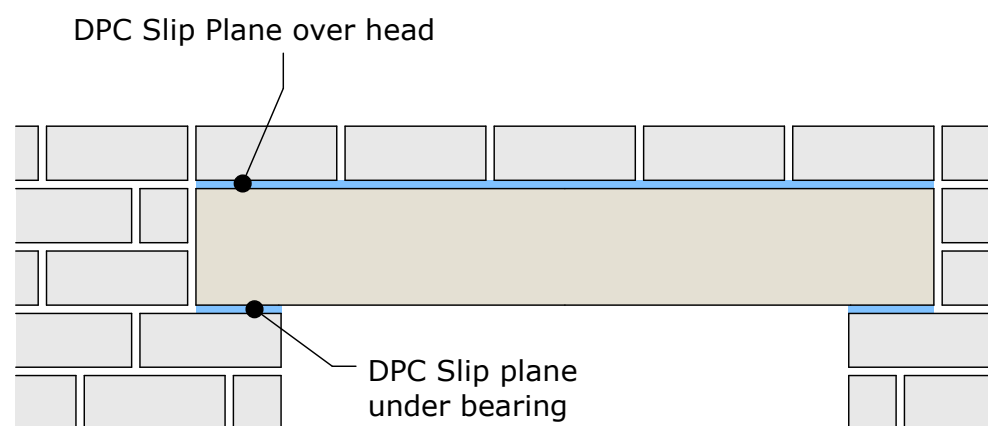
All dimensions to be checked by client prior to manufacture.

This drawing must not be reproduced in any part or form without consent.

All dimensions in millimetres unless noted otherwise.

Any shown fixings, restraints or support steel is strictly indicative and is to be designed by others.

Please return a signed copy of this drawing back so that manufacture of items can commence



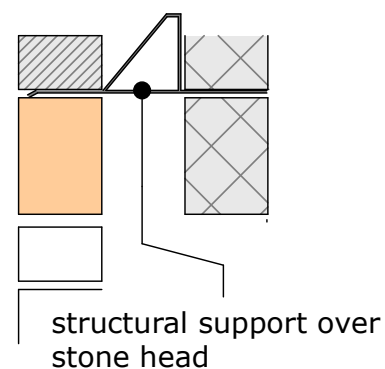
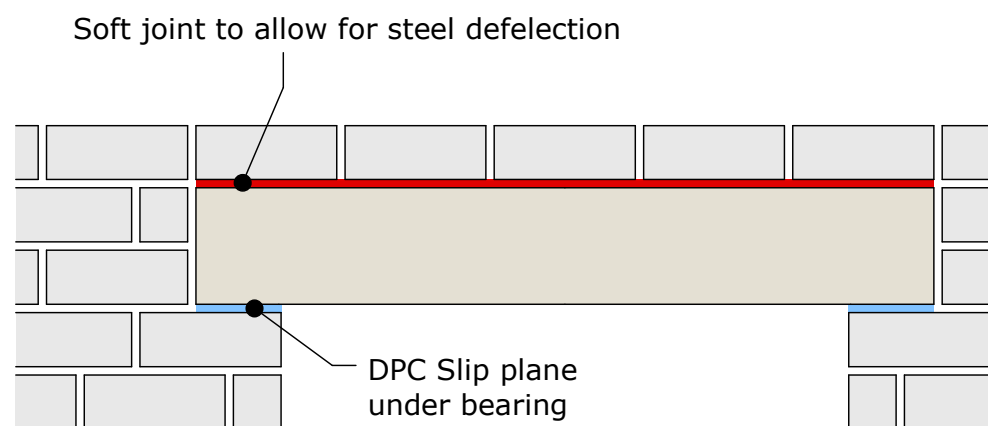
All cast stone heads should be installed in accordance with BS 5628-3.

Unless previously agreed and reinforcement details provided all heads should be treated as non-loading bearing and as such appropriate structural support should be provided to carry any loads.

One piece and multi stone head units will required support from a steel lintel (FIG 01) this lintel should be installed as per the lintel manufacturers instructions.

Single head units are self supporting and will require a steel lintel which is longer than the head above to transpose the masonry load from above.

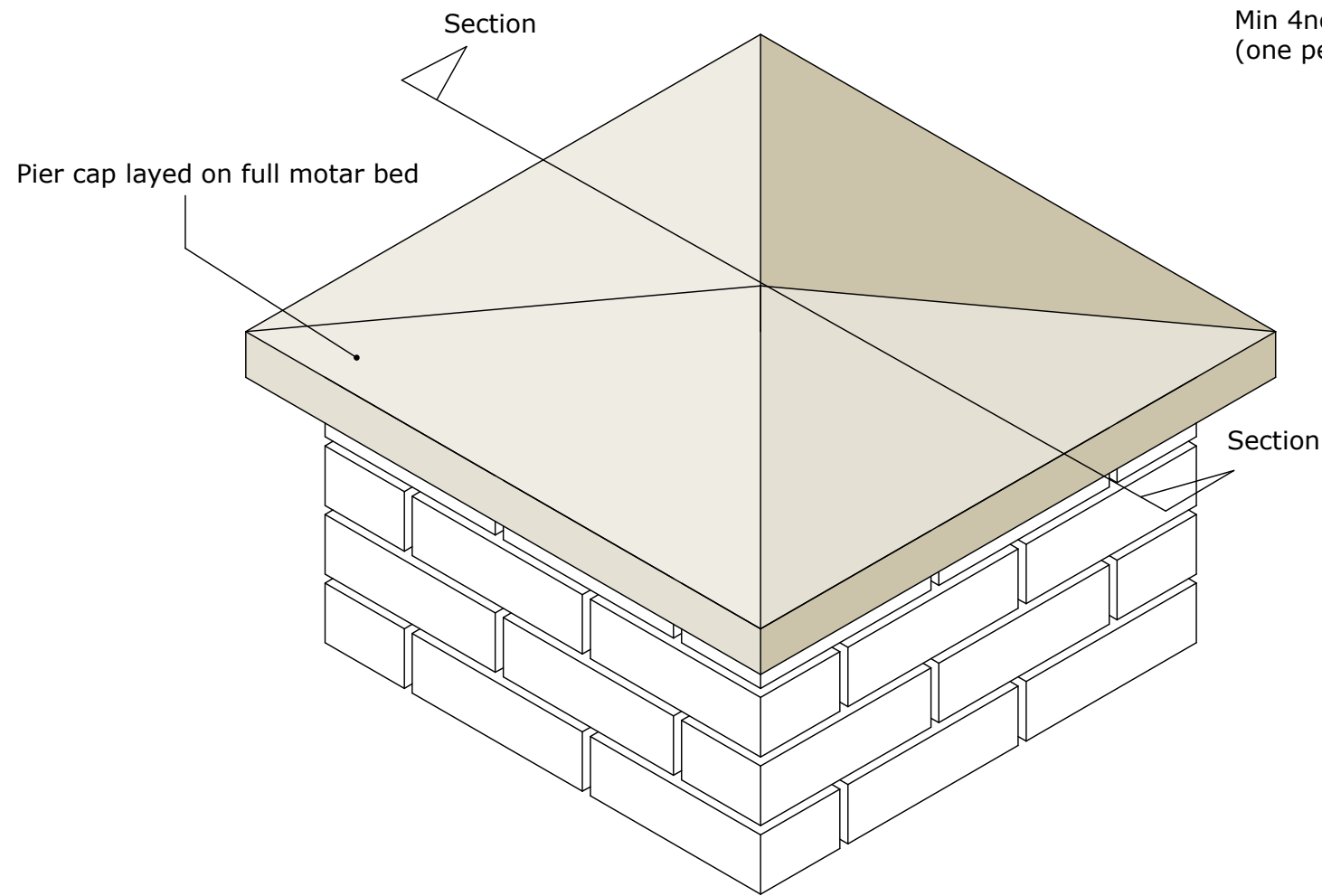
It is important to provide a waterproof barrier over all the heads and discharge any water to the outside of the masonry as such cavity trays should be installed above the stone which will also act as a slip plane.



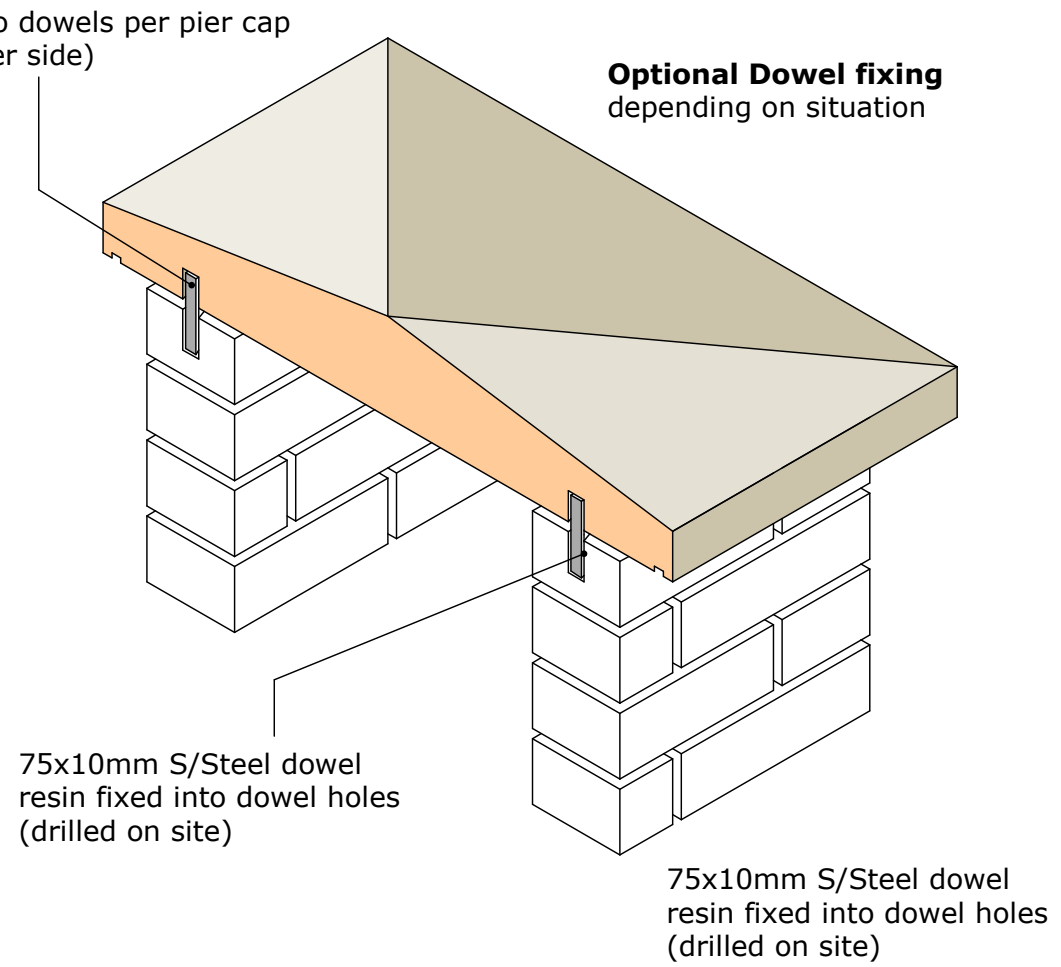
GB CONSTRUCTION SUPPLIES

Triton House
Hare Park Mills
Hare Park Lane
Liversedge
WF15 8HN

Phone: 01274 870044



Min 4no dowels per pier cap
(one per side)



NOTES

Please do not scale from this drawing.

All dimensions to be checked by client prior to manufacture.

This drawing must not be reproduced in any part or form without consent.

All dimensions in millimetres unless noted otherwise.

Any shown fixings, restraints or support steel is strictly indicative and is to be designed by others.

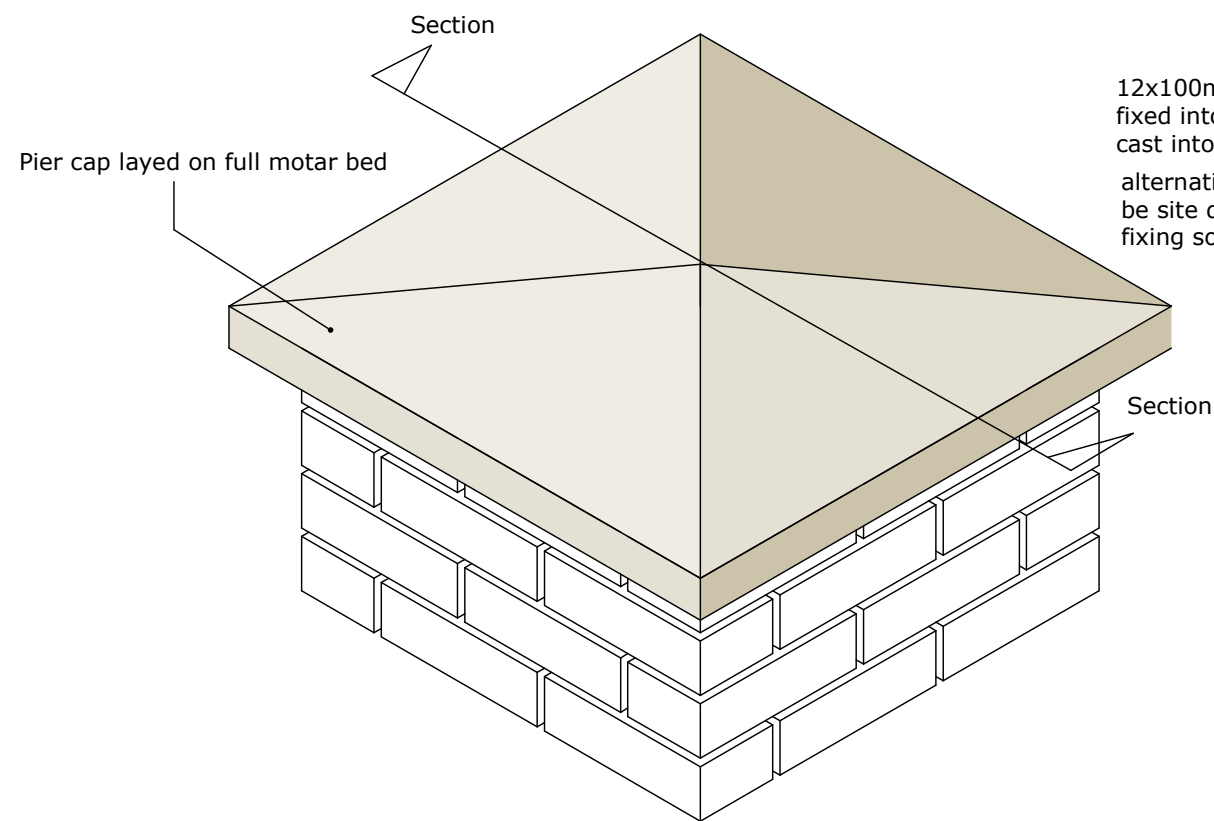
Please return a signed copy of this drawing back so that manufacture of items can commence



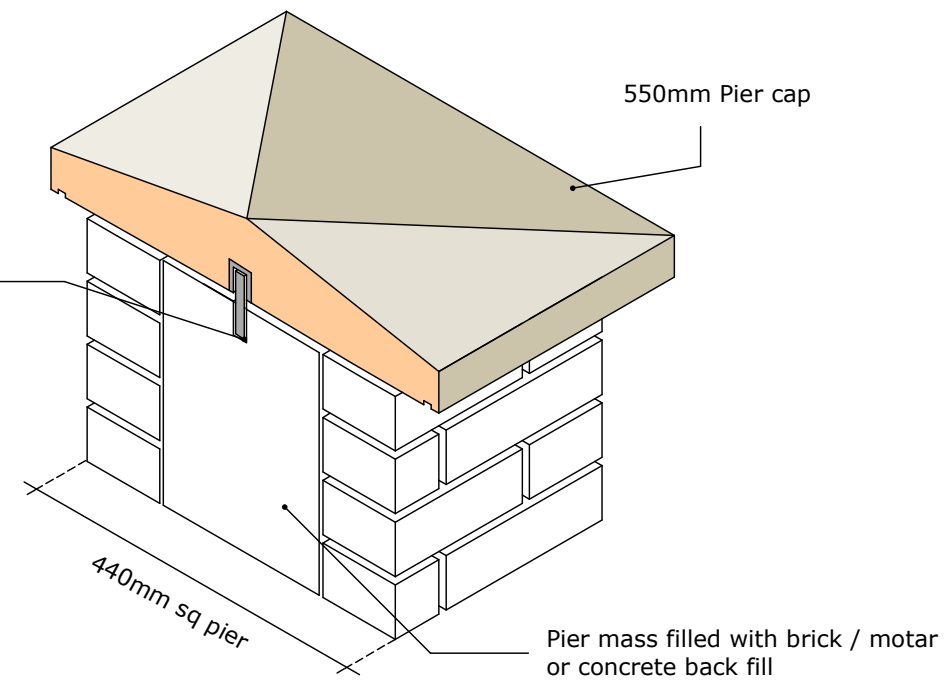
GB CONSTRUCTION SUPPLIES

Triton House
Hare Park Mills
Hare Park Lane
Liversedge
WF15 8HN

Phone: 01274 870044



12x100mm threaded rod
fixed into M12 fixing socket
cast into base of cap.
alternatively M12 dowel bar to
be site drilled and fixed where
fixing sockets are not provided



NOTES

Please do not scale from
this drawing.

All dimensions to be checked
by client prior to manufacture.

This drawing must not be
reproduced in any part or
form without consent.

All dimensions in millimetres unless
noted otherwise.

Any shown fixings, restraints or
support steel is strictly indicative
and is to be designed by others.

Please return a signed copy of this
drawing back so that manufacture
of items can commence



**GB CONSTRUCTION
SUPPLIES**

Triton House
Hare Park Mills
Hare Park Lane
Liversedge
WF15 8HN

Phone: 01274 870044